

Work Instructions in English:

Danella Stand (SAG1)

See figure 1 and assemble the parts. It is not necessary to use glue. Use a hammer to insert the wall plugs. For storage or transport release the middle piece, thus, keep the Allen key along with the stand.

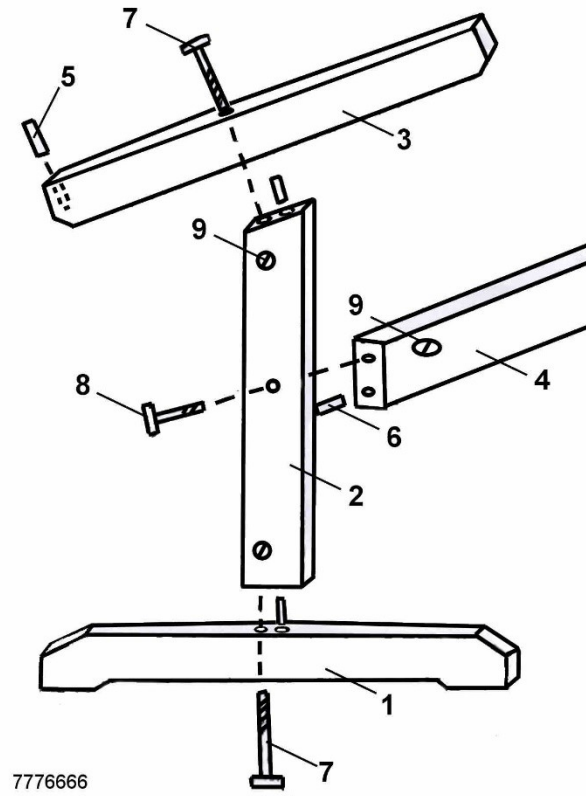


Fig. 1: Assembly

#	Part	Qty.
1	Foot	2
2	Vertical leg	2
3	Top	2
4	Middle piece	1
5	Big dowel (10x45mm)	2
6	Little dowel (8x40mm)	6
7	Big screw (6x90mm)	4
8	Little screw (6x55mm)	2
9	Assembly Nut (10x17mm)	6
10	Allen Key 5 mm	1

Danella